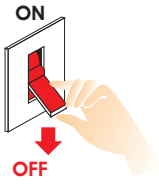


1



Attention

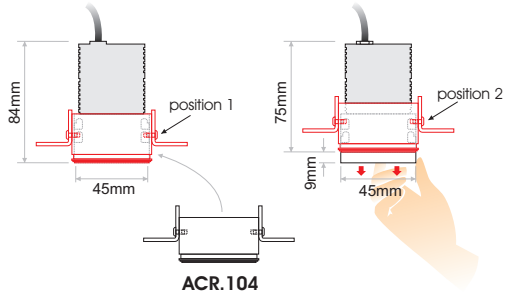
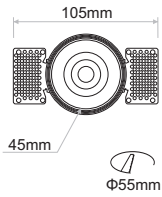
Before any maintenance switch off the main power.

2 Cutting Hole

LIMIT TR 6 IP67/IP66



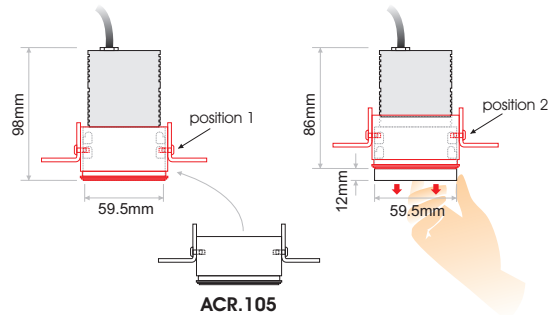
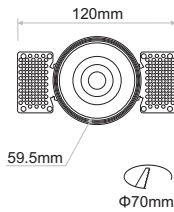
6.4W



LIMIT TR 9 IP67/IP66



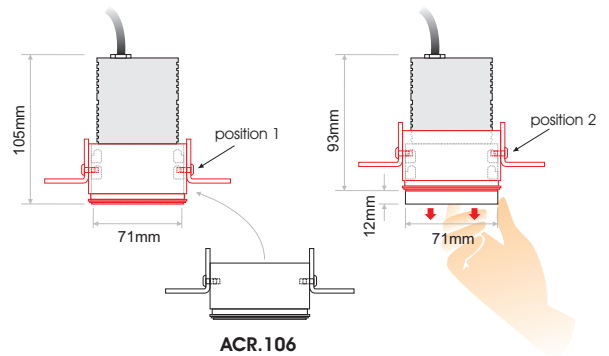
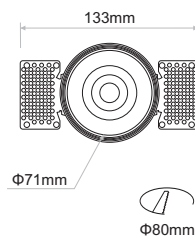
8.8W



LIMIT TR 13 & 17 IP67/IP66



12.8W & 17W

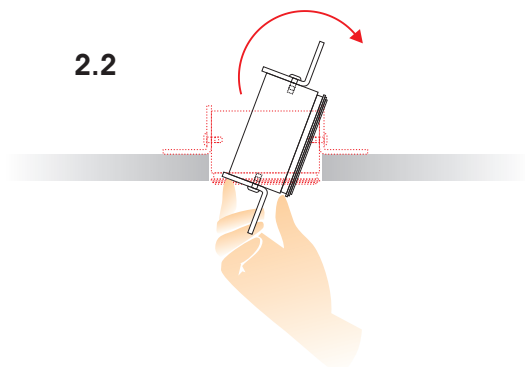


2.1

- Φ55mm (LIMIT TR 6)
- Φ70mm (LIMIT TR 9)
- Φ80mm (LIMIT TR 13 & 17)

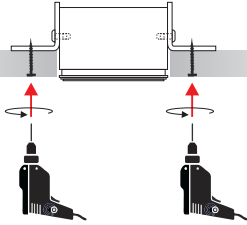


2.2

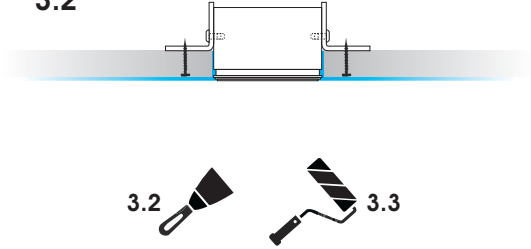


3

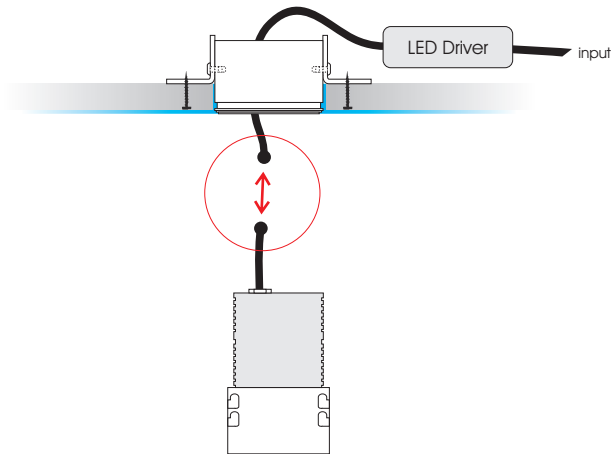
3.1



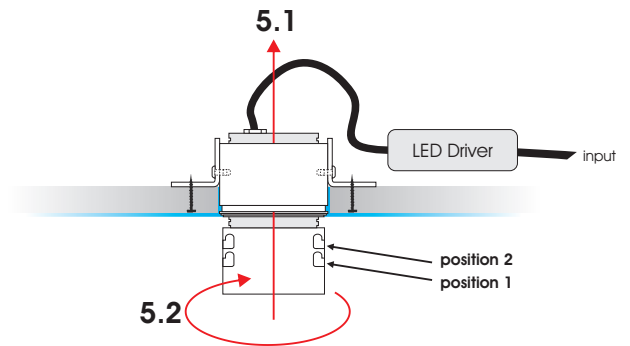
3.2



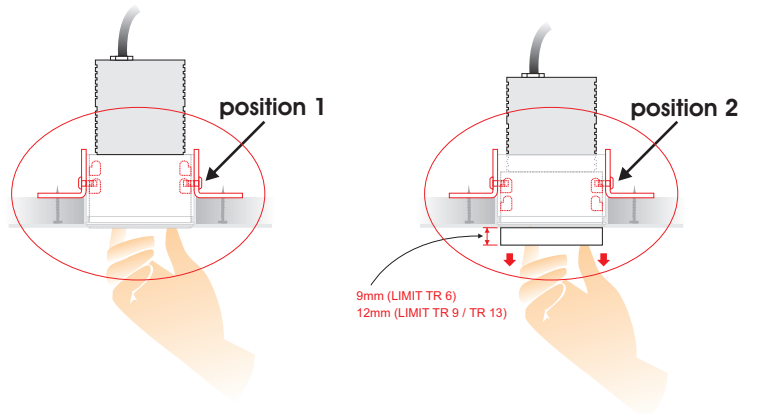
4



5



5.1 Insert the fixture through the installed base.
5.2 Turn it clockwise to lock it in the desired position (1 or 2).



5

